

NEW

DEA
100%
MADE
IN ITALY

100% MADE IN ITALY

LIVI 502

24V GATES TO 3M

TECH SPEC

MOTOR		24V
Motor Voltage	V	24 (DC)
Motor Power	W	80
Duty Cycle	%	35
Opening Per Hour		35
Opening Time to 90°	Sec	34
Max. Torque	Nm	180
Manufacturers Rating	kg	400
Protection Degree	IP	44
Dimensions (H-W-L)	mm	185, 186, 370
Motor Weight	kg	13.2
Working Temperature	°C	-20° + 50°
Max. Gate Length	m	3

REMOTE		
Remote	4 Channel	Rolling Codes

CONTROL BOARD	
Control Board	NET24N
Input Power	V 24(AC)

ARM OPTIONS



STEEL ARM
AAC-629140

ALUMINIUM ARM
AAC-629130

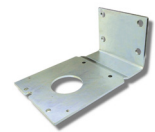
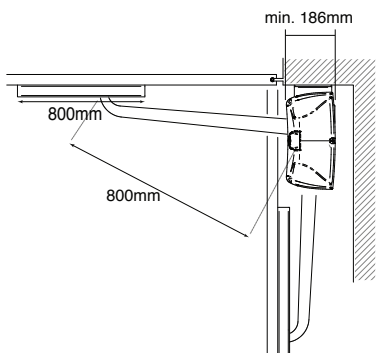
SLIDE ARM

Flexible elbow for rising hinges.



RUBER RISER SWINGER-RISER

2m max. gate leaf
AAC-629110 (right arm)
AAC-629120 (left arm - shown below)



Sideways-mount Plate

To mount Livi502 in tight spaces (left).

AAC-380950



SINGLE

Motor
2 Ziggy Remotes
Controller + Receiver

LIVI502-SINGLE



DOUBLE

2 Motors
2 Ziggy Remotes
Controller + Receiver

LIVI502-DOUBLE