



WG25

for swing gates

Automation kit for double swing gates
up to 2m wide and up to 250kg

Reliable and quiet: die-cast powder-coated aluminium body, gear motor mounted on bearings

Extra safe: low voltage connections (24V), automatic obstacle detection feature

Auto-programming and diagnostic system: automatically calculates the most suitable operating parameters for each gate. Identifies and immediately signals any connection errors or malfunction

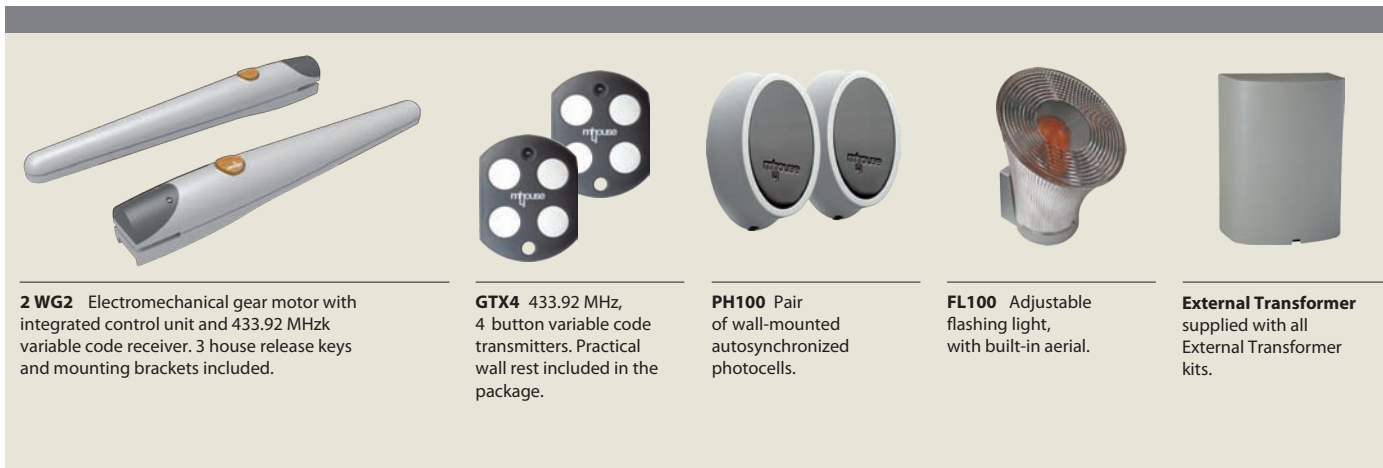
“Plug ‘n Play” connections: very simple and quick, with easy identification of wires and terminals. ECSBus system for connection of up to seven pairs of photocells using only two wires

Quick motor release: for manual gate operation

Control unit with integrated receiver featuring:

- 2 variable speeds for smooth operation
- timed and adjustable automatic closing function
- easy programming of additional remote controls (up to 150)
- obstacle sensitivity and partial opening adjustments

mhouse



2 WG2 Electromechanical gear motor with integrated control unit and 433.92 MHz variable code receiver. 3 house release keys and mounting brackets included.

GTX4 433.92 MHz, 4 button variable code transmitters. Practical wall rest included in the package.

PH100 Pair of wall-mounted autosynchronized photocells.

FL100 Adjustable flashing light, with built-in aerial.

External Transformer supplied with all External Transformer kits.

Optional accessories



PF Solar power kit.

PBC Battery charger power supply unit, for PF.



DS1 13-key digital switch with programmable code, via radio.



R2 Operate your gate and garage door on the one remote.



PT50 Two 485 mm high posts including one pair of photocells.

PT100 Two 945 mm high posts including two pairs of photocells.



EL1 112 V electric lock interface.



PR1 Buffer battery for emergency power supply.

Kits

START

Twin 24V Motors
1 Remote

ASW-WG2S/02

FULL

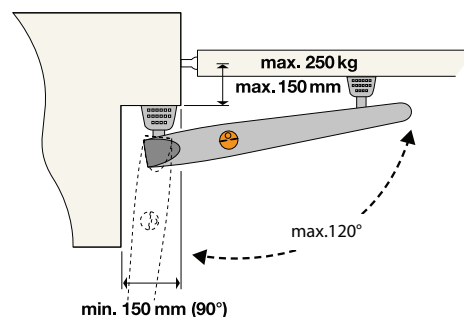
Twin 24V Motors
2 Remotes
2 Obstacle Sensors
Signal Booster Warning Light

ASW-WG2S

Technical characteristics

Power supply (Vac)	24
Power (W)	80
Torque (N)	460
Speed (m/minute)	1
Protection class (IP)	44
Weight (kg)	6
Certification	CE

For updated and complete information, consult the product technical manual.



EXTERNAL TRANSFORMER

START

Twin 24V Motors
1 Remote
External Transformer

ASW-WG2S/02SP

FULL

Twin 24V Motors
2 Remotes
External Transformer
2 Obstacle Sensors
Signal Booster Warning Light

ASW-WG2SSP

